

nuvo **FUSION**

DESKTOP PRO SERIES



INNOVATIVE
IM
MARINE

user's guide

Lets get the legal jargon out of the way. Sorry we have to add this:

To guard against injury, basic safety precautions should be observed including the following:

READ ALL SAFETY INSTRUCTIONS BEFORE USE.

To avoid electric shock, special care should be taken since water is employed in the use of aquarium equipment. For each of the following situations, do not attempt to repair yourself. Return the appliance to an authorized service facility for service or discard the appliance.

If the appliance falls into water, **DO NOT** reach for it! First unplug it and then retrieve it. If the electrical components of the appliance get wet, unplug the appliance immediately.

Carefully examine the appliance after installation. It should not be plugged in if there is water on parts not intended to be wet.

Do not operate any appliance if it has a damaged cord or plug, or if it is malfunctioning or if it is dropped or damaged in any manner.

To avoid the possibility of the appliance plug or receptacle getting wet, position aquarium to one side of a wall mounted receptacle to prevent water from dripping onto the receptacle plug. A "Drip Loop" should be arranged by the user for EACH cord connecting an aquarium appliance to a receptacle. The "Drip Loop" is that part of the cord below the level of the receptacle or the connector if an extension cord is used. This "Drip Loop" prevents water traveling along the cord and coming in contact with the receptacle. If the plug or the receptacle do get wet **DO NOT** unplug the cord. Disconnect the fuse to the circuit breaker that supplies power to the appliance. Then unplug and examine for the presence of water in the receptacle.

Always unplug an appliance from the outlet when not in use, before putting on or taking off parts, and before cleaning. Never yank the cord to pull plug from outlet. Grasp the plug and pull to disconnect. Do not use an appliance for other than intended use. The use of attachments not recommended or sold by the appliance manufacturer may cause an unsafe condition.

Make sure an appliance mounted on a tank is securely installed before operating it.

Read and observe all the important notices on the appliance.

This appliance has a polarized plug (one blade is wider than the other). As a safety feature, this plug will fit in a polarized outlet only one way. If the plug does not fit fully in the outlet, reverse the plug. If it still does not fit, contact a qualified electrician. Never use with an extension cord unless plug can be fully inserted. Do not attempt to defeat this safety feature.

This appliance is intended **FOR HOUSEHOLD USE ONLY.**

FINDING A LOCATION

- Find a location that can handle the weight of your NUVO
- Do not install or store the aquarium where it will be exposed to the weather or to temperatures below freezing.
- Do not place aquarium in direct sunlight or near heater vents.
- We recommend ambient room temperature around 25° C / 77° F.
- Place aquarium 5-6" away from the wall to allow access to the back if needed
- Make sure surrounding appliances are waterproof and move anything that might be damaged by salt creep.

- Find a good location to test your aquarium.
- Your location should be level, flat and should not be in a place where can be damaged in case of a leak. (Garage or covered patio)
- Slowly fill your aquarium from the display portion of the tank and let the water naturally enter the overflows.
- Plug in your pumps and continue adding water until your water line reaches about 1" under the last baffle wall in the back of the aquarium
- Check every 8 hours over the next 24 hours for leaks. If any leaks have been detected please contact your authorized Innovative Marine Dealer immediately.

- Make sure your NUVO is set on a level surface to prevent undue stress on the aquarium tank from stress and leaks.
- It is not recommended that this aquarium is set upon coffee tables, end tables, TV stands, or night stands unless the structure has been properly tested to withstand the weight limits of the aquarium.
- Please pay special attention when leveling your aquarium on carpet.
- Before lifting your aquarium, make sure your stand is in position and your leveling mat is properly adhered to the bottom of your aquarium.
- Lifting the glass aquarium onto its stand will require more than two people. Please use proper lifting techniques when lifting large heavy objects.
- Lift from the bottom of the aquarium DO NOT lift using the aquariums' glass edges this will cause stress on the glass and seals and may cause leakage. The back of the aquarium should be flush with your stand and all four corners are not overhanging the edges.
- Once you have placed your aquarium atop your stand, make sure your stand has not moved from its position.
- Place a level on edge of tank, if necessary readjust and reposition tank and stand.

**If you have any additional questions give us a call.
We have a customer service staff that can answer any questions that you have
866-368-7941 | info@innovative-marine.com**

Thank You for choosing Innovative Marine. Here is our promise to you.

High Quality Control:

We know you expect a premium product, so we only utilize the best raw materials and hand inspect each and every item for imperfections or defects before they reach your hands.



You handle the livestock inside, and we will handle the rest. We Promise.

Customer Experience:

Our goal at IM, is help you succeed with less pain and more enjoyment.



We are always here to answer questions quickly, help you with a aquarium build, or assist with a warranty item. We're not happy until you are... just let us know how we can help.

Plethora of Choices:

If it can hold water, we probably make it! Some competitors offer 3 or 4 models, We think you should have choices so we offer a little more ;)



We design and manufacture All-In-Ones, Reef Ready External Overflow Systems, and Reef Ready Internal Overflow Systems. That's 21 models and counting with every shape from a traditional lagoon to conceptual drop-off aquarium.

Innovation:

We love solving problems that make your life easier. You can bet we are always working on something new or adding our own twist on products so you don't have to.



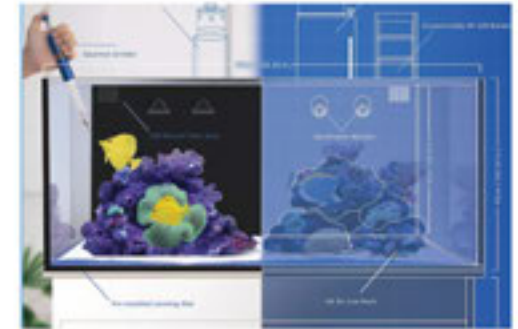
Our products have won multiple awards and we have been issued a host of patents for our original designs. We are obsessed with innovation, I guess we have to be since it's our namesake.

Trusted Experience:

Not our first Rodeo, our experienced staff have literally been in every aspect of the aquarium industry.

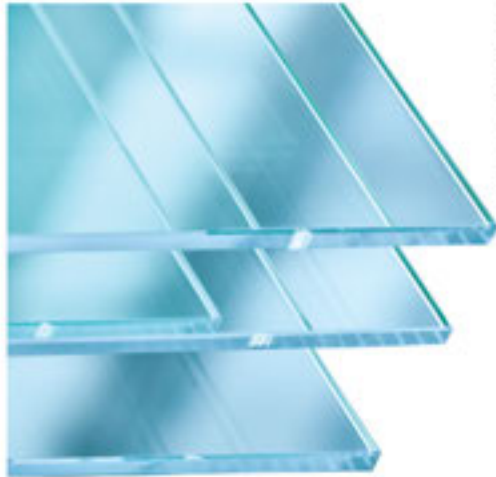
Many of us here started in retail, wholesale, manufacturing & design.

Our design team even help launch and develop the All-In-One aquarium category over 16 years ago. This advantage allows us to see the product through many different perspectives.



Now that your NUVO is here let's talk about it's premium features and why they have become standard in our NUVO PRO kits

High Clarity Low Iron Glass



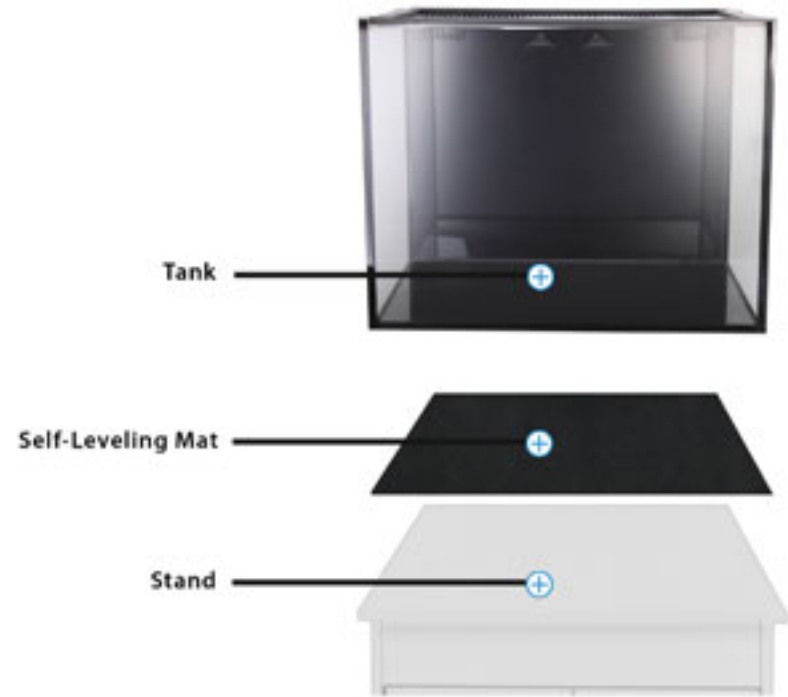
"Clear Glass" has been used in our industry since we have been keeping fish. While "Clear" is in the name it is not the clearest type of glass you can get.

Due to the high iron content in clear glass it ends up with a greenish tint to it. This quality can cause issues when viewing aquariums with thick glass. Colors from livestock end up looking washed out and warping in the glass can be seen.



Every NUVO Aquarium is made with the highest quality ultra-thick low iron glass. From there the our glass is diamond edged, flat polished and constructed together with our signature framed black silicone giving you the clearest viewing possible.

Pre-Installed Leveling Mat

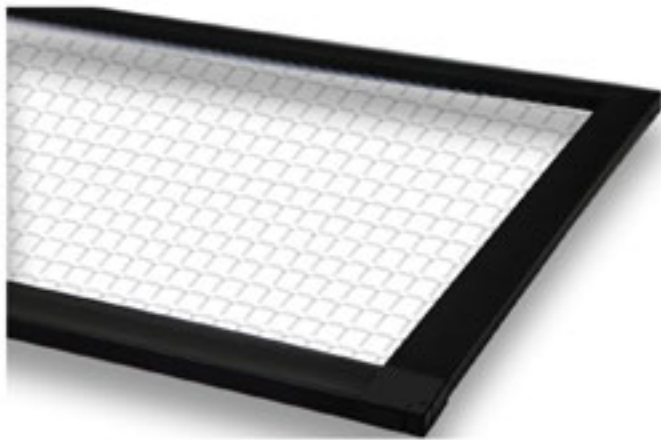


When it comes to showcasing your aquarium on a stand or counter top, it is extremely vital that your tank is level. An uneven and unlevelled surface can cause an aquarium to fail over time. A leveling mat prevents disaster and decrease the stress on an aquarium. It also delivers a safe haven for your stand or furniture, preventing any scratches or dents.

Safety is our number one goal, that is why our ultra-thick leveling mats are made from the highest grade rubber material and each mat has been rated and tested to withstand over 2000lbs of pressure.



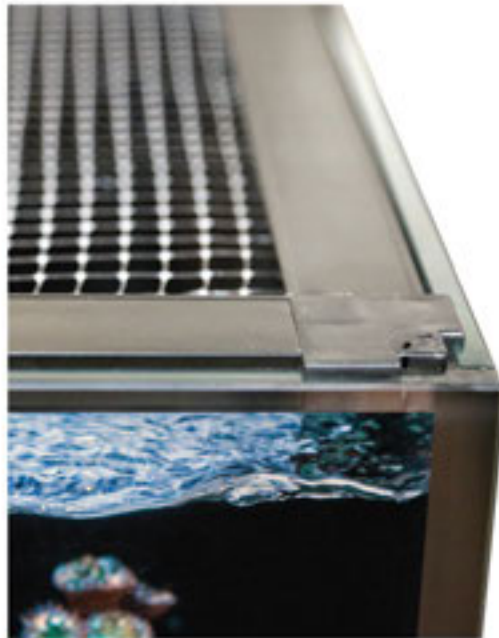
Mesh Screen Pro



Providing protection for "jumping" inhabitants is crucial when taking care of any aquarium. Many lids trap in heat and build up salt creep this can hurt light penetration. Mesh screen lids have come a long way and quickly has become a staple in our industry.

No More heat build up, very little impact on light penetration and no more clips.

Our Pro Series lids are now pre-assembled and powdered coated for extra protection.



200 Micron Filter Sock



These Micron Socks will serve to give you a cleaner and cleaner aquarium, resulting in polished water all while simultaneously removing heavy amounts of organic matter that produces ammonia and other undesirable substances in the aquarium.

Note: Please rinse all filter socks in RO or RO/DI water before use

Innovative Marine recommends to change out sock once a month for optimal performance.

MicroMag Algae Cleaner



You simply drag the outside magnet in a circular motion to remove algae and keep your hands dry

CustomCaddy Media Basket

Filtration is key in keeping any kind of aquarium. That is why we added the CustomCaddy Media Basket with a NUVO PurityPack Media into all the pro kits.

The CustomCaddy allows customization in your filtration media and when paired up with the NUVO PurityPack it will extract a wide range of impurities for a cleaner and clear aquarium.



Customization doesn't stop there, when you remove the two laser cut shelves the CustomCaddy can double as a refugium basket for a more natural filtration.

Innovative Marine recommends to change out media once a month for optimal performance.

NUVO PurityPack

Fiber Balls

High Performance, non clogging, mechanical filter media for both freshwater and marine aquariums. Easy to remove & replace, fiber balls collect floating detritus & other toxic particles in water.



Premium ROX 0.8 Carbon

High Grade chemical filtration process that removes impurities such as copper, chlorine, medications, tap water impurities, discoloration and dissolved proteins.



HC Coarse GFO

High Capacity Granular Ferric Oxide is 2 x more effective by volume than leading GFO. HC GFO controls and removes phosphates from water eliminating nuisance algae and green water.





MightyJet DC Return Pump



The engine behind every NUVO Aquarium has a DC return pump called the MightyJet. DC pumps have been surging in popularity within our industry due to having these key features: Controllability, low energy consumption, being ultra-quiet and dry run protection.

The MightyJet is the industry's very first DC All-In-One return pump, that you can have full control with a push of a button, smallest form factor and five star reviews from our industry's biggest critiques.



PRESS: the  or  button to increase or decrease the flow rate of the MightyJet Pump.

Changing Modes:

PRESS AND HOLD: the  button to toggle between **STREAM Mode** and **SINE WAVE Mode**.



When the controller's display that reads a "1" You are in **STREAM Mode**.

When the controller's display that reads a "2" You are in **SINE WAVE Mode**.



The Stream Mode is a calm, uninterrupted constant movement of water at a single speed



Each Mode has 9 speed settings that can be controlled using the buttons.  



1.1 Being the minimum and 1.9 being maximum speed.

After the speed has been set, a different number will show. This number is how much wattage is currently being used. Example: 30 = 30 Watts.




The Sine Wave Mode is a smooth repetitive oscillation that moves water in a continuous wave motion.



Each Mode has 9 speed settings that can be controlled using the buttons.  

2.1 Being the minimum and 2.9 being maximum speed.


FEED MODE

PRESS: the  button to activate feed mode. The display will read 'FE' and the pump will shut off and will automatically resume after 10 minutes.




You can override the 10 minute timer by pressing the 'FEED' button again and your pump will resume.

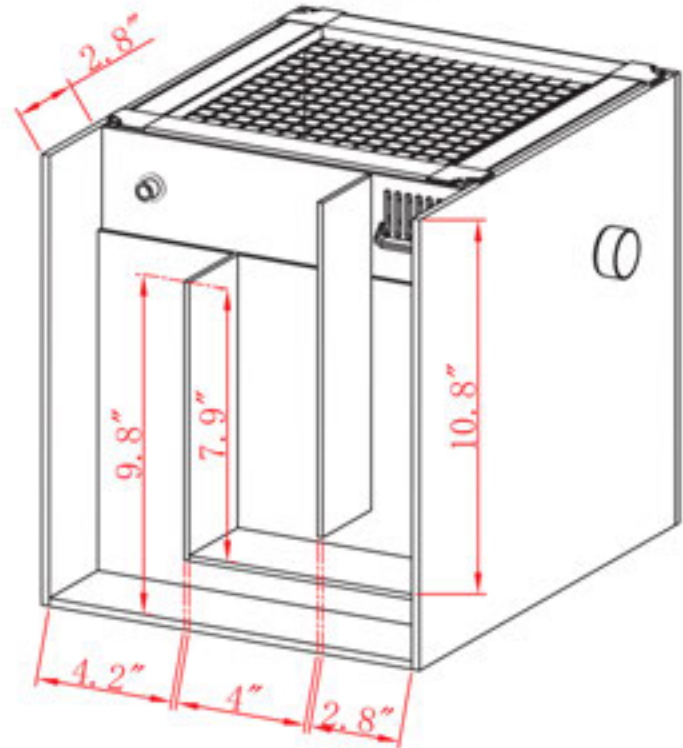
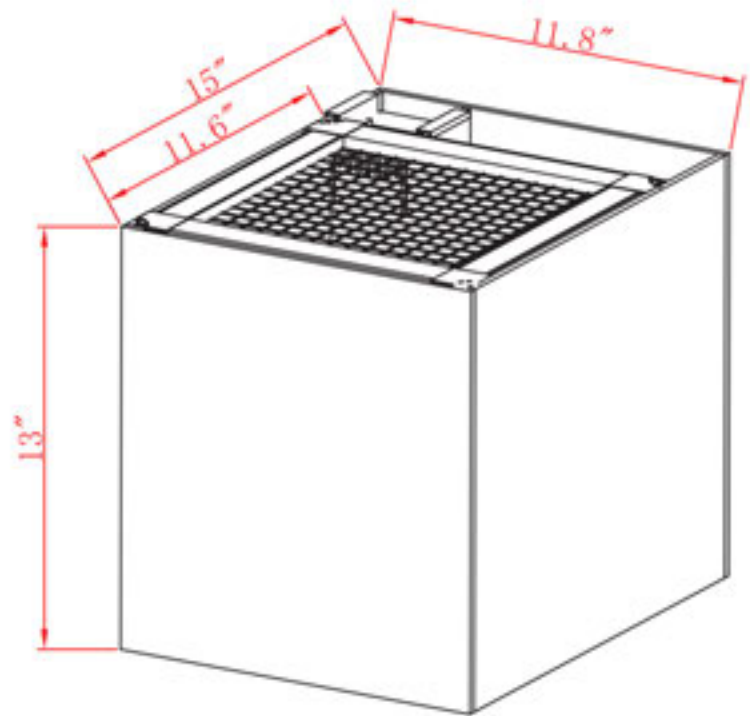
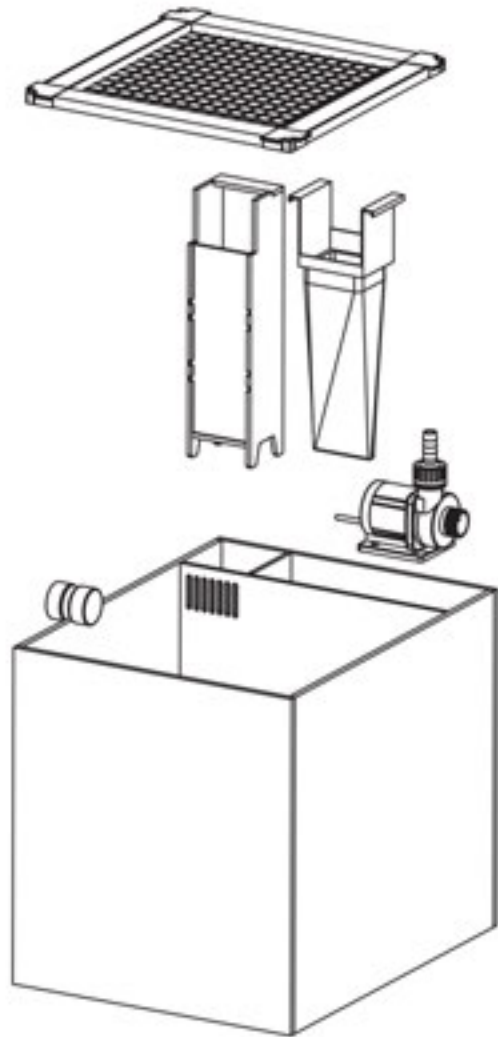
LOCKING YOUR SETTINGS

PRESS AND HOLD: the  button to activate the "LOCK" function. The display will read "LC" and all buttons will be disabled.

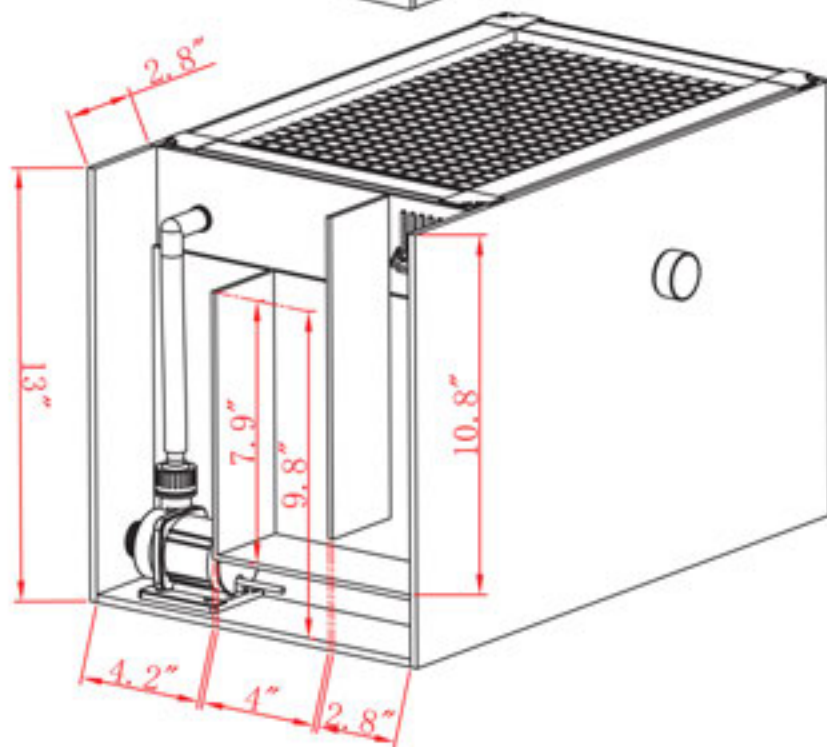
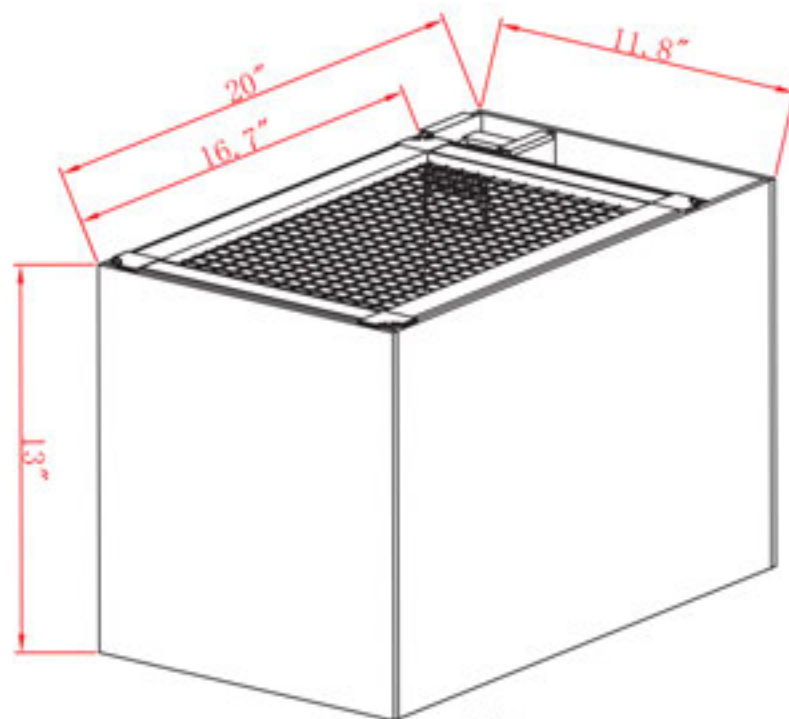
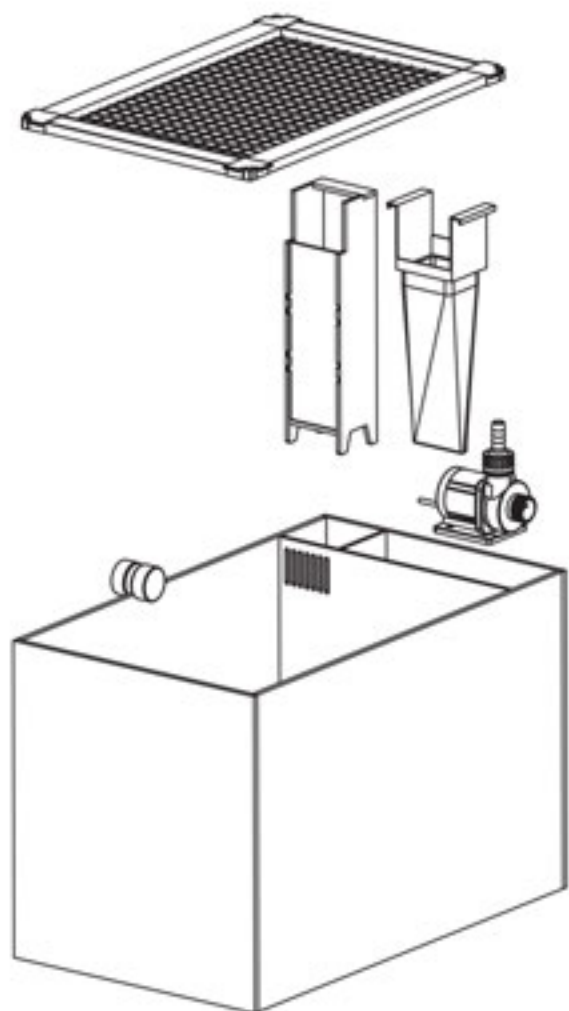


UNLOCKING YOUR SETTINGS

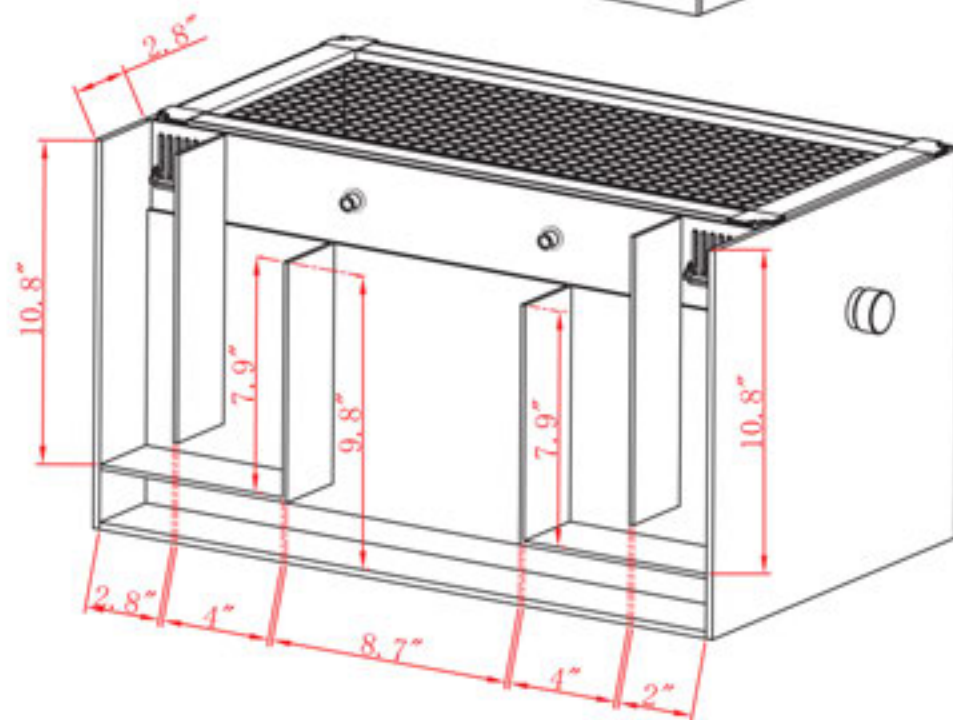
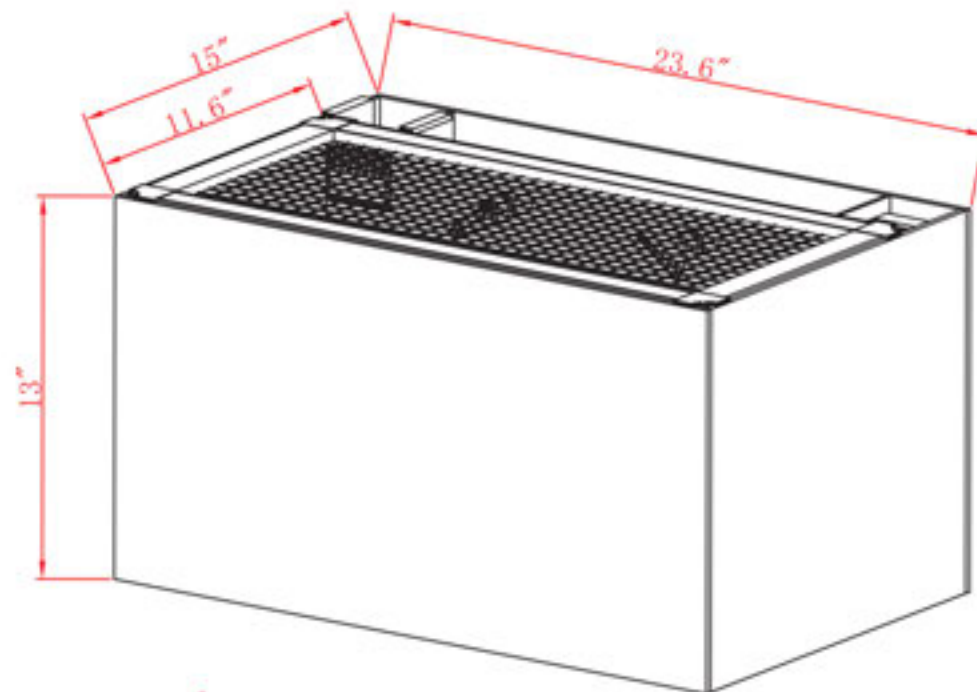
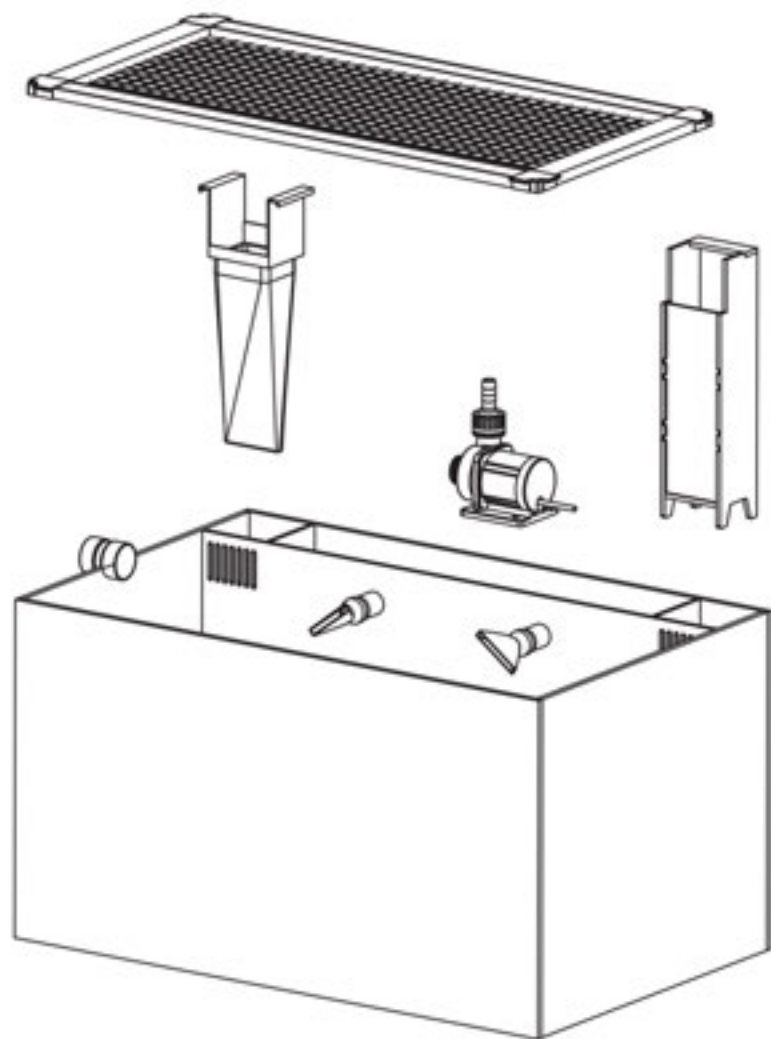
PRESS AND HOLD: the  button to deactivate the "LOCK" function. The display will no longer read "LC" and all buttons will be enabled.



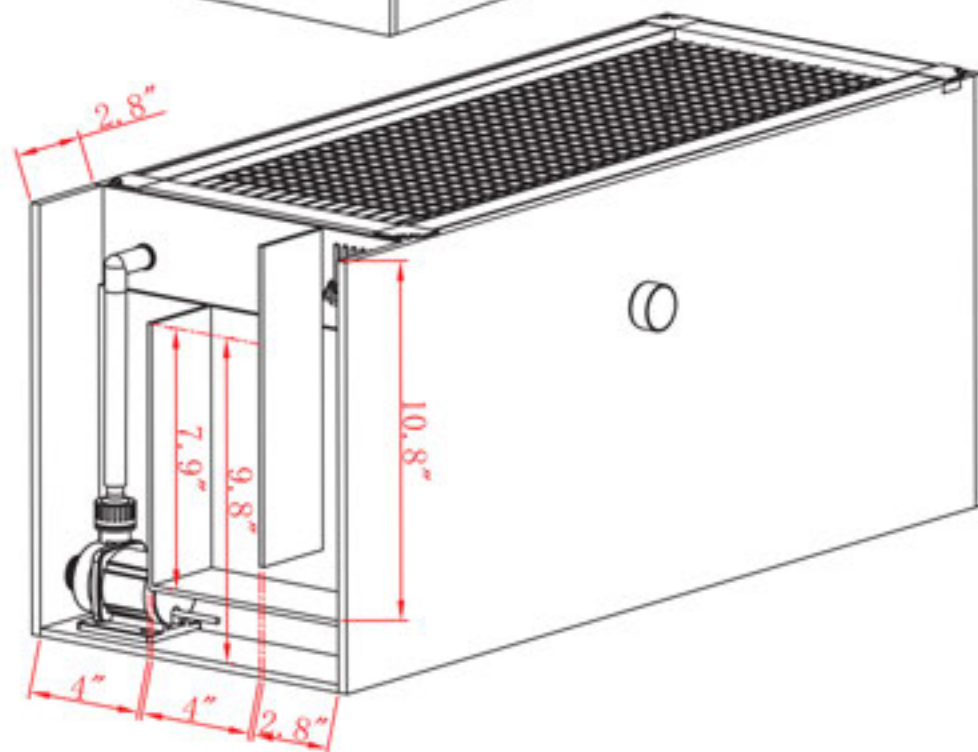
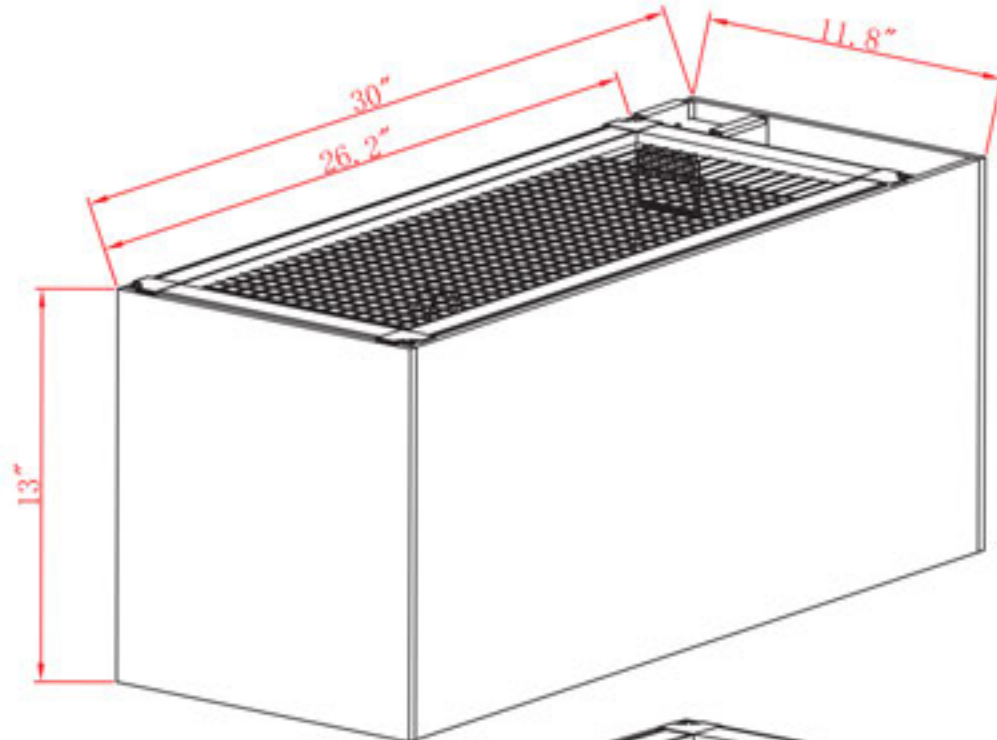
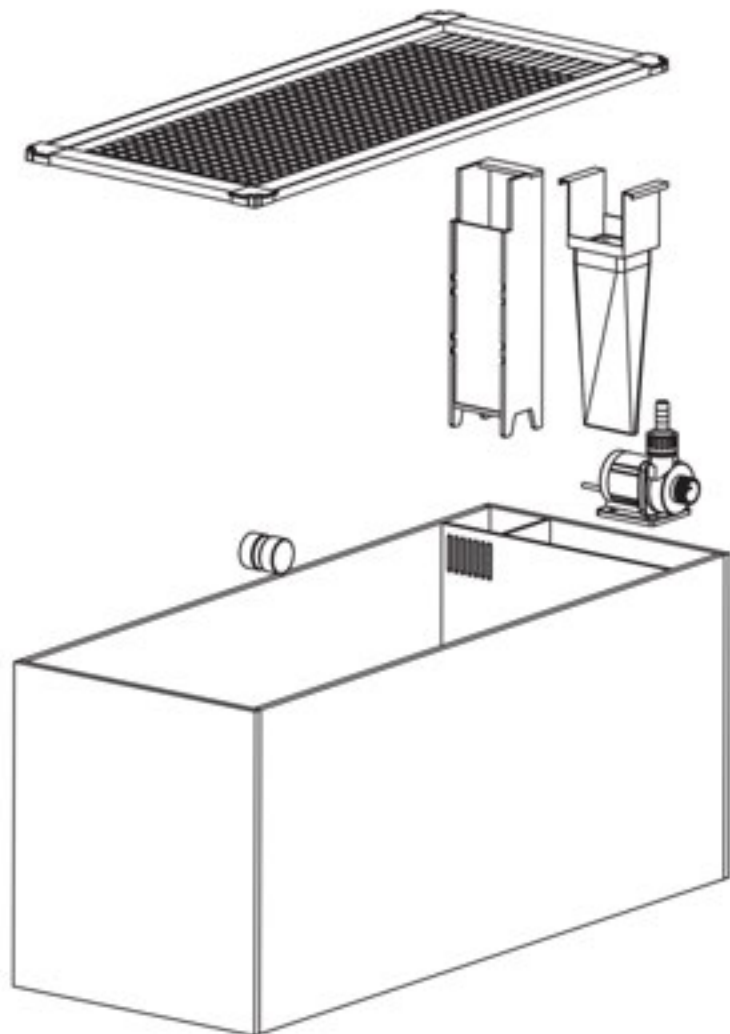
#	Description	Item Code
1	10 Gallon Aquarium	020501
2	MightyJet 326 GPH Return Pump	8501
3	200 Micron Water Polishing Sock	9003
4	CustomCaddy Media Basket	7406
5	Mesh Screen Pro Lid	020504
6	MicroMag Magnetic Glass Cleaner	8201



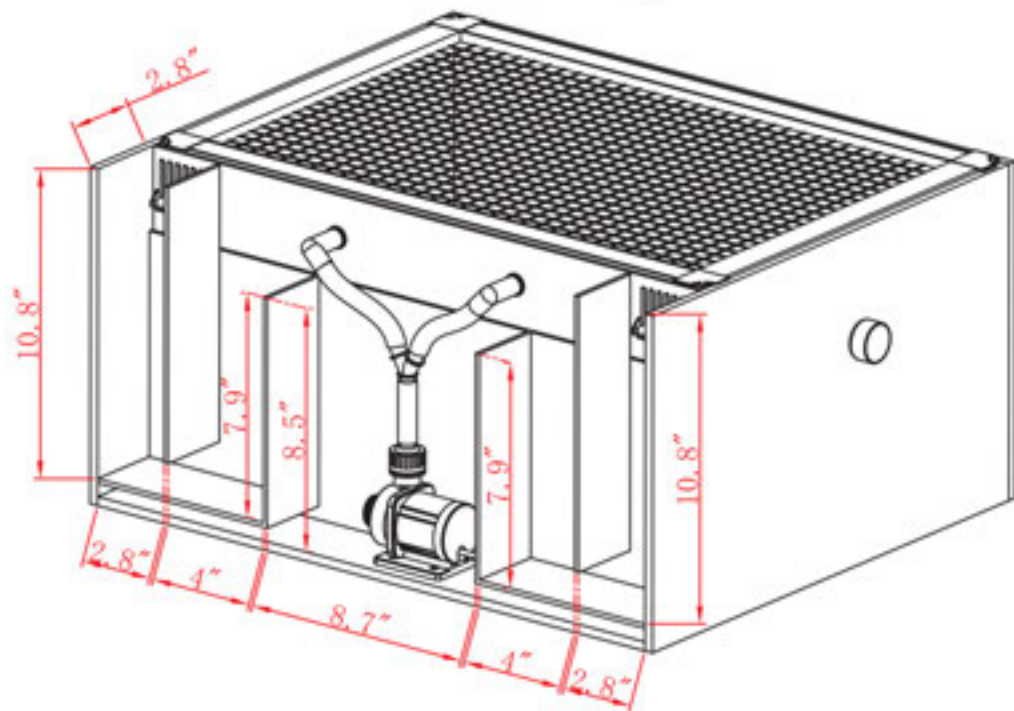
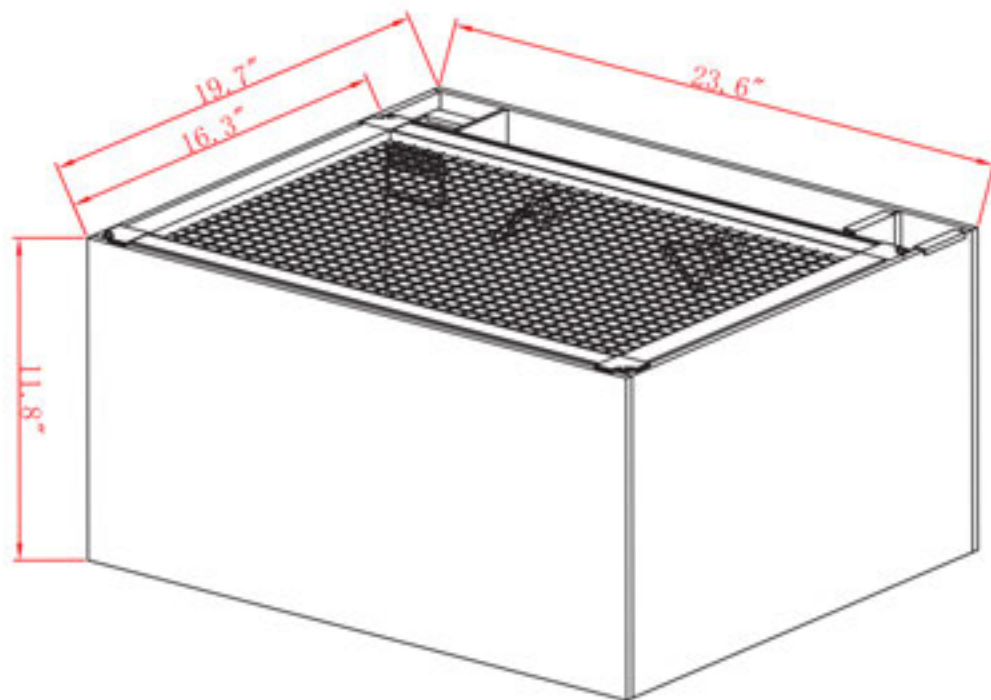
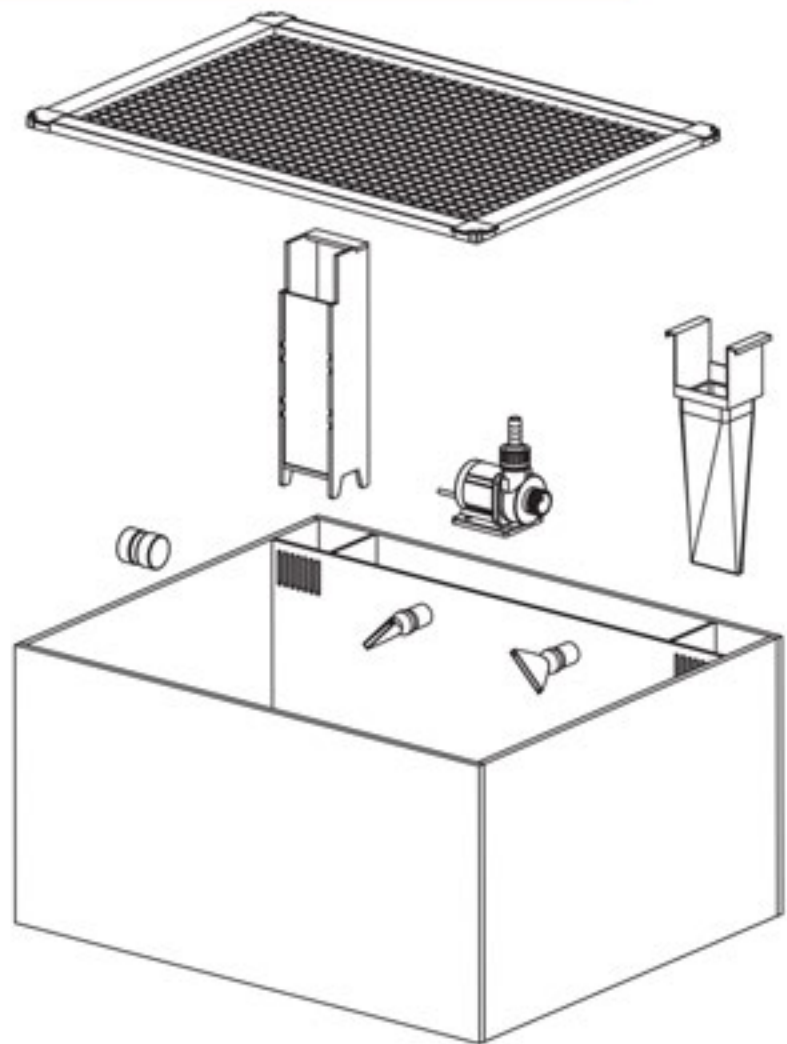
#	Description	Item Code
1	14 Gallon Aquarium	020701
2	MightyJet 326 GPH Return Pump	8501
3	200 Micron Water Polishing Sock	9003
4	CustomCaddy Media Basket	7406
5	Mesh Screen Pro Lid	020704
6	MicroMag Magnetic Glass Cleaner	8201



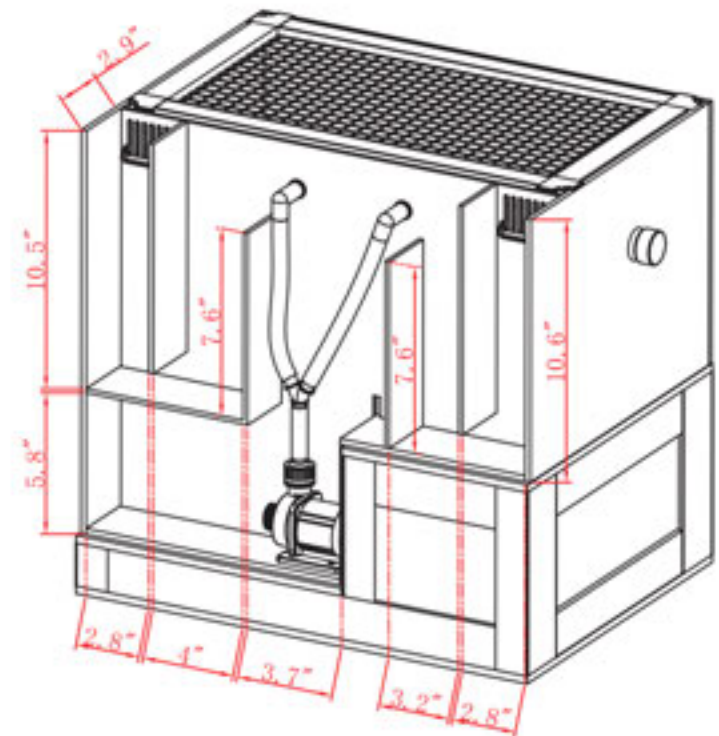
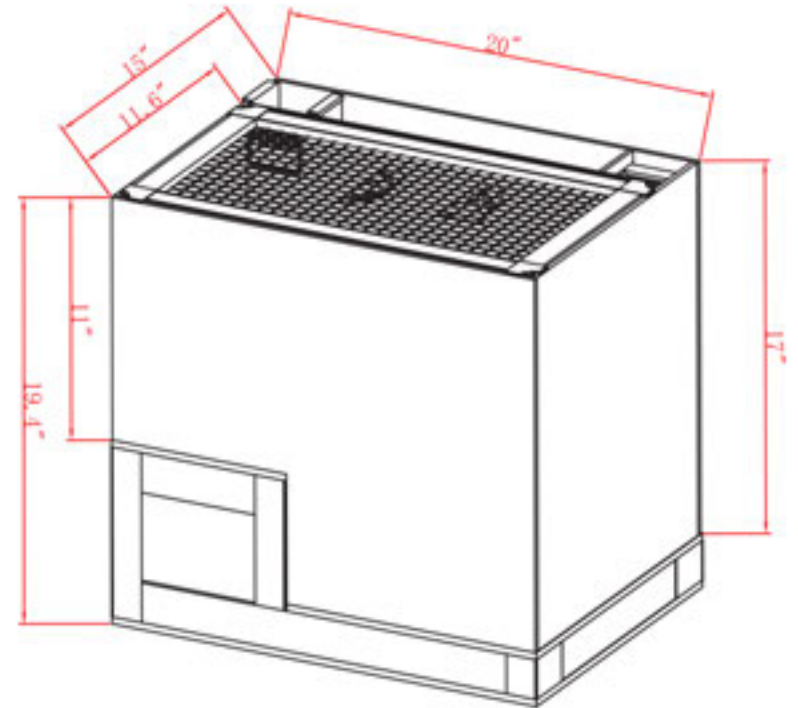
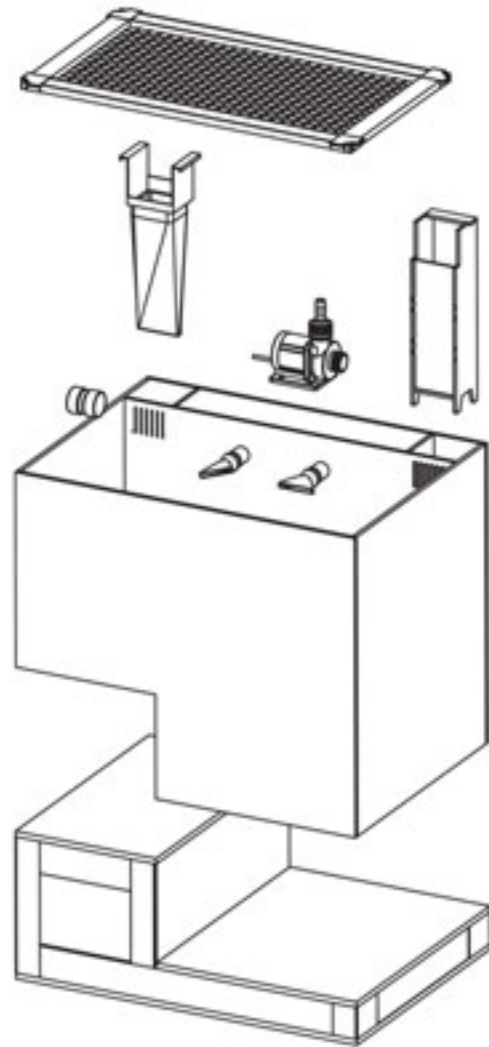
#	Description	Item Code
1	20 Gallon Aquarium	030501
2	MightyJet 326 GPH Return Pump	8501
3	200 Micron Water Polishing Sock	9003
4	CustomCaddy Media Basket	7406
5	Mesh Screen Pro Lid	030504
6	MicroMag Magnetic Glass Cleaner	8201



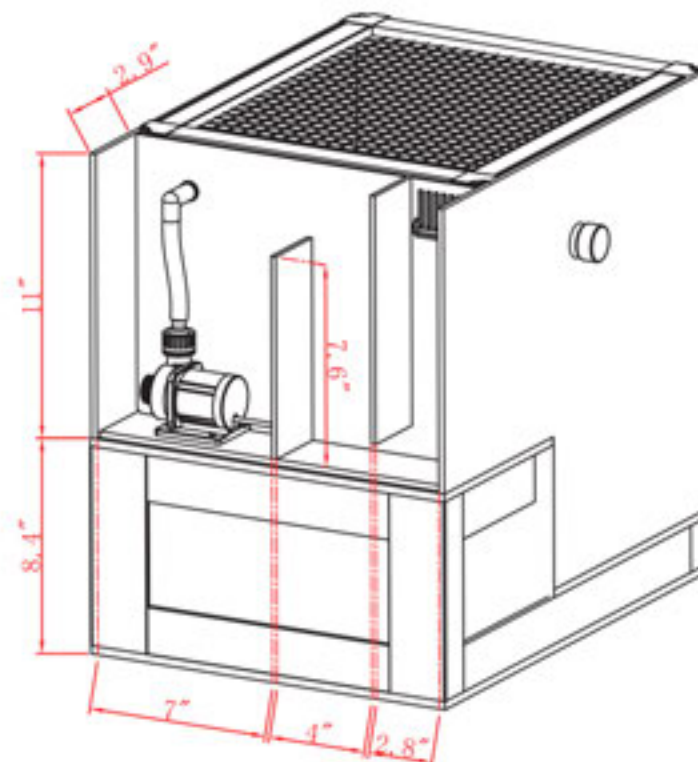
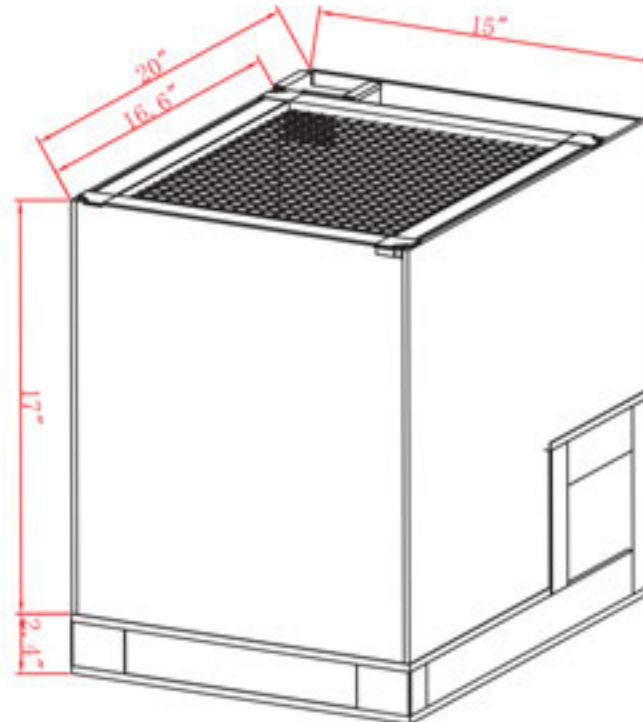
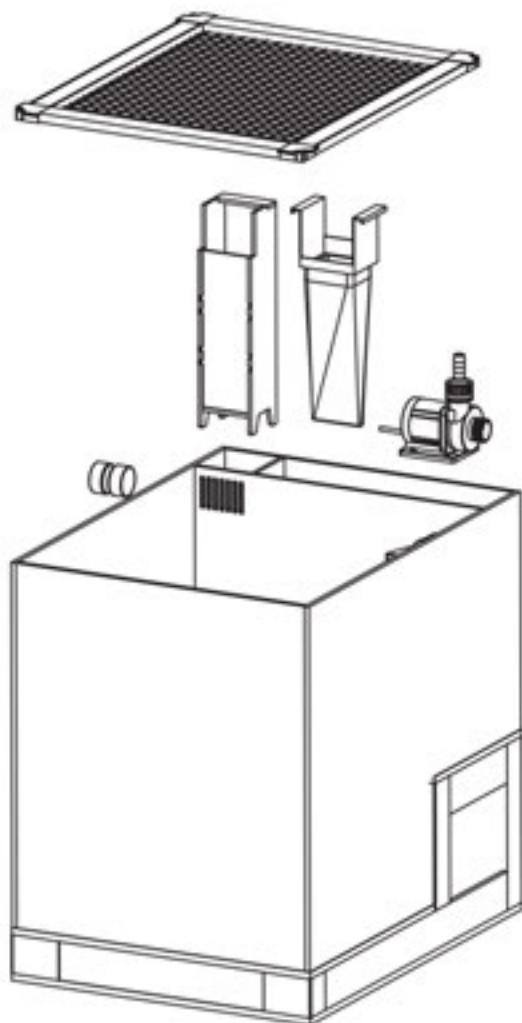
#	Description	Item Code
1	20 Gallon Aquarium	030701
2	MightyJet 326 GPH Return Pump	8501
3	200 Micron Water Polishing Sock	9003
4	CustomCaddy Media Basket	7406
5	Mesh Screen Pro Lid	030704
6	MicroMag Magnetic Glass Cleaner	8201



#	Description	Item Code
1	25 Gallon Aquarium	050701
2	MightyJet 326 GPH Return Pump	8501
3	200 Micron Water Polishing Sock	9003
4	CustomCaddy Media Basket	7406
5	Mesh Screen Pro Lid	050704
6	MicroMag Magnetic Glass Cleaner	8201



#	Description	Item Code
1	20 Gallon Aquarium	090501
2	MightyJet 326 GPH Return Pump	8501
3	200 Micron Water Polishing Sock	9003
4	CustomCaddy Media Basket	7406
5	Mesh Screen Pro Lid	090504
6	MicroMag Magnetic Glass Cleaner	8201



#	Description	Item Code
1	20 Gallon Aquarium	090601
2	MightyJet 326 GPH Return Pump	8501
3	200 Micron Water Polishing Sock	9003
4	CustomCaddy Media Basket	7406
5	Mesh Screen Pro Lid	090604
6	MicroMag Magnetic Glass Cleaner	8201