

Reef Octopus BH-90 Half Cone Hang on skimmer

Thank you for purchasing Reef Octopus BH-90 Half Cone Hang on skimmer.

Introduction:

BH-90 skimmer is totally a new hang on skimmer, not like our general hang on design, it have a half cone reaction chamber like NW- series skimmers, an OTP-1000S skimmer pump as its engine. BH-90 uses the siphon to make water into the skimmer, this design reduces the load on the pump and increases the capacity of generating bubbles.

It has a useful accessory, makes the surface water could be sucked in the skimmer, avoid the ugly oil above water.

A half cone reaction chamber, the Sieve plate at the inlet and the bowl- shaped structure on the top, all of these make bubbles got well dispersed and then been shrink, greatly enhanced this skimmer's effect.

It is also very easy to be set up. Two adjustable PVC screws makes it could be stably fixed on your aquarium tanks.

It has two useful devices: Defoaming device and Surface degreasing device. Clean your aquarium and show the beautiful.

Installation:

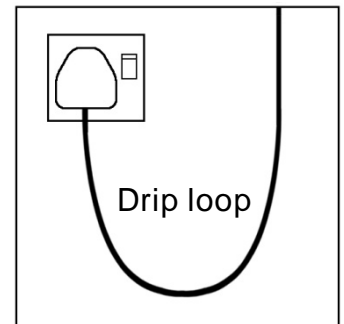
1. Find all the accessories; check them, make sure they are not broken.
2. Fix the air intake device, then assemble the pump to the skimmer's main body.



3. Find the silencer and the silicone pipe. Connect the silencer to the air intake device on the pump with the pipe.
4. Assemble the Defoaming device and Surface degreasing device.
5. Hang on it on your tank, fixed it by adjusting the two screws.
6. Added some water in the skimmer reaction chamber, install the collection cup. Connect the pump to power.

Safety:

1. Use the skimmer under marked voltage.
2. Make a drip loop as picture shows to prevent the danger of water flow along the wire into the socket.!
3. Never take maintains of the pump when it is running.



WARRANTY

Reef Octopus skimmers have the 1 year warranty on craftsmanship, one year on the water pump from the date of the retail purchase by the original end-user.

We are responsible for the products as long as it's been installed and used properly. Consumable spare parts are not applicable to the warranty.

Reef Octopus cannot be held liable for damages to personal property due to misuse or improper care and maintenance of the skimmer.

Reef Octopus warranty does not, under any circumstance; cover the replacement or cost of any electronic device or personal property.

It's Special Components

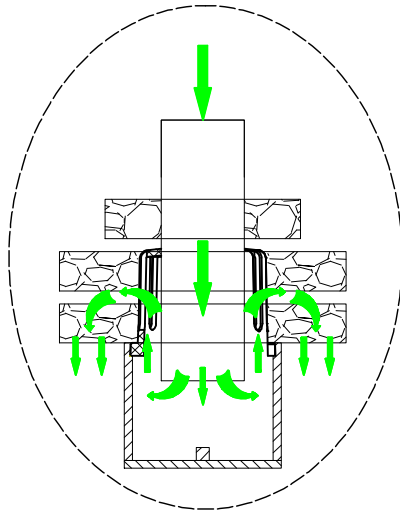
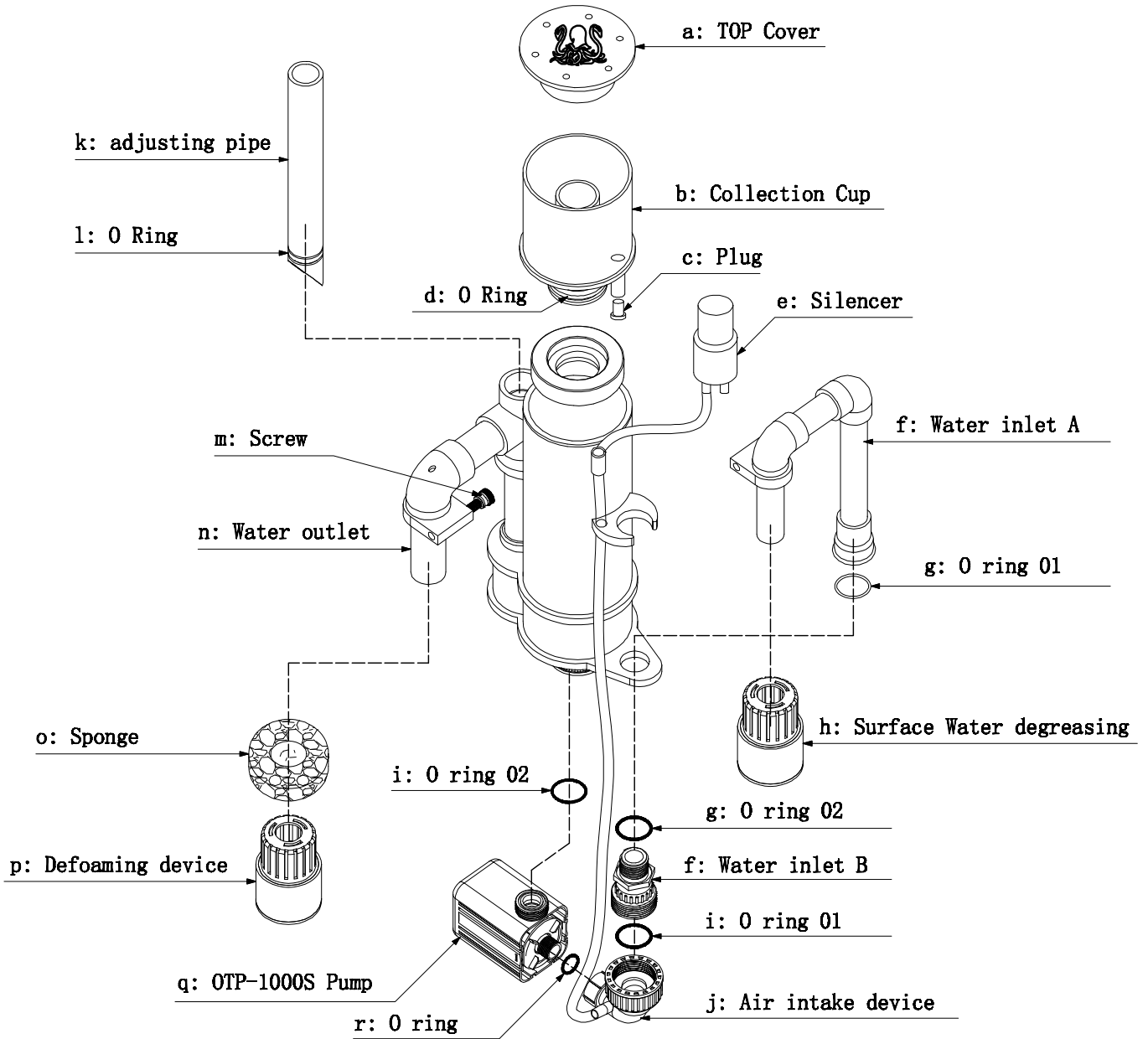


Surface degreasing device

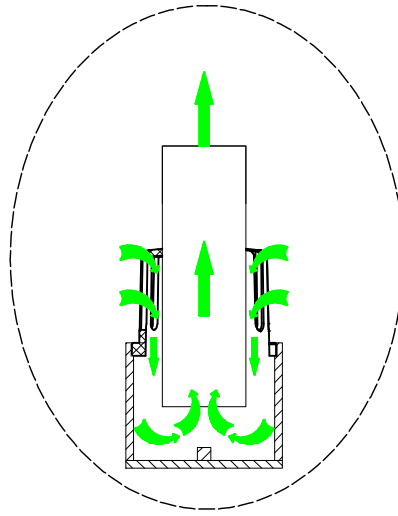


Defoaming device

BH-90-6520



Defoaming device



Surface Water degreasing