

# Gooseneck Quick Start Guide

## A150·A350

Qty 1 \* Gooseneck Base



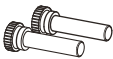
Qty 2 \* Plastic Screw



Qty 1 \* Plastic Stepper



Qty 2 \* Thumb Screw



Qty 1 \* Gooseneck



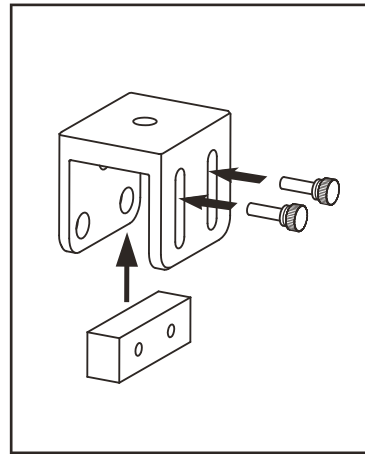
Qty 1 \* A150 Bracket



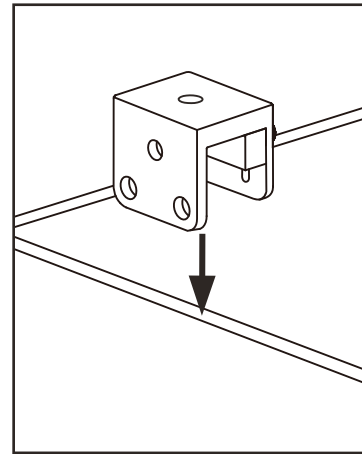
Qty 1 \* A350 Bracket



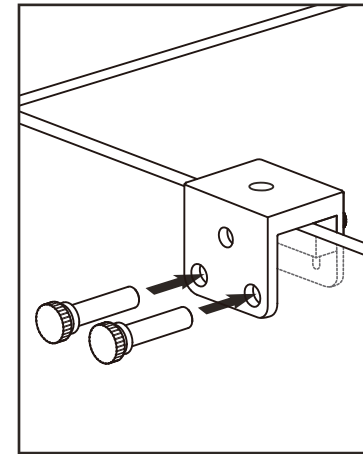
### (A) Gooseneck base attachment instructions



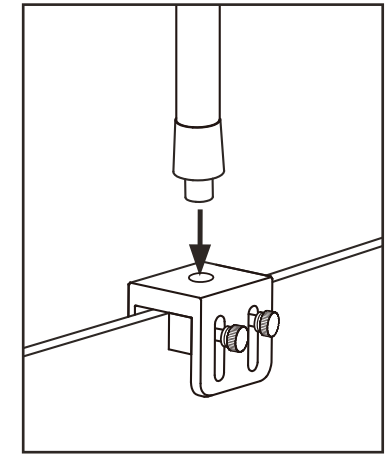
**A1.** Insert plastic stepper into gooseneck base and secure with plastic screws



**A2.** Place gooseneck base onto aquarium.

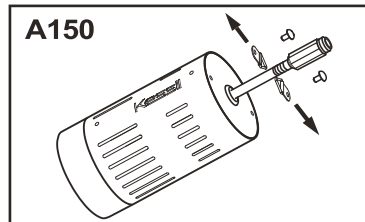


**A3.** Screw thumb screw onto gooseneck base to secure base to aquarium

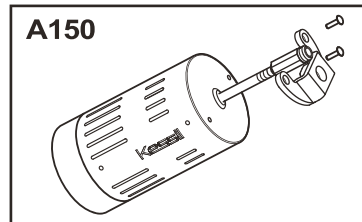


**A4.** Screw gooseneck into the gooseneck base

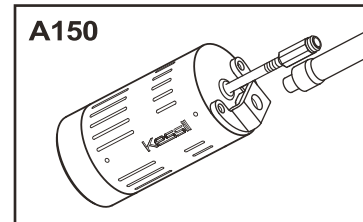
### (B) Unit attachment instructions



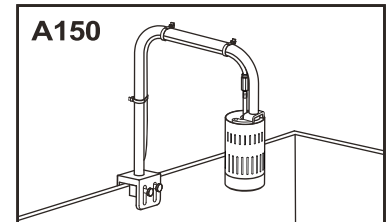
**B1.** Remove triangle hooks and reserve screws for step B2



**B2.** Secure designated bracket to unit with screws from step B1



**B3.** Screw gooseneck to attached bracket



**B4.** Connect power supply and adjust gooseneck

