



VERTEX
AQUARISTIK

Rx-U⁺

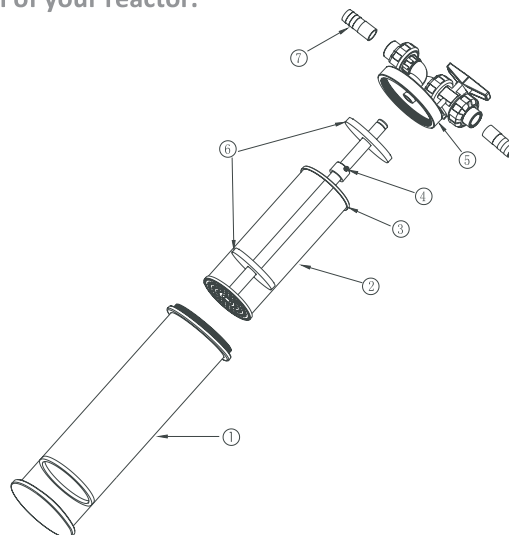
Rx-U⁺ Series Fluidized Reactor



Thank you for your purchase of the Vertex™ Rx-U Series Universal Fluidized Reactor. Please be sure to read and follow this brief guide to ensure proper install and operation of your reactor.

In the box:

- 1- Rx-U main chamber
- 2- Rx-U inner chamber
- 3- Upper perforated plate assembly
- 4- M4 * 8mm Titanium Screw
- 5- Rx-U lid
- 6- Foam disc - 2 Pieces
- 7- Barbed hose Connection - 2 pieces
- 8- Owner's manual



Install and operate:

- 1- Remove your reactor and its components from the box and inspect for any possible defects. If there are any concerns please contact your dealer within 48 hours of receiving your reactor, refrain from installing the unit, keep all original packaging as well as proof of purchase.
 - *Any damages to the unit during transport are not covered under warranty and must be claimed with the forwarder at the time of receiving the product.*
- 2- After proper inspection, clean the unit with a damp cloth using RO water to ensure removal of any oils and/ or chemicals used during the manufacturing process.
- 3- Rinse media with RO water to remove debris and/or dust.
- 4- Use proper media based on your application. Different size of media particles will require different screen and/ or foam-discs. In many cases there is either no need for the foam-discs or a finer mesh-screen is required. This is dependent to the media utilized as well as flow requirements for the said media.

Once determined which will serve you best in the application filter is used for; place the proper screen and/ or foam over the perforated plate inside the inner chamber. Supplied foam-discs are by design larger than the inner tube diameter to ensure no media particles would get through. Push the foam-disc down using a long rod.
- 5- Fill the inner chamber assembly with media.
- 6- Assemble the upper perforated plate over the inner chamber and fasten in place using the onboard Titanium screw. If the foam-disc is required; it is best to place the disc over the inner tube prior to installing the upper perforated plate. Refrain from over-tightening which can possibly damage the threading. Damaged threading if caused by negligence or improper installation will not be covered under warranty.
- 7- Place the inner chamber assembly back inside the unit.

- 8- Place the lid over the inner tube assembly and ensure alignment with the middle tube port of the lid. Once closed, the O-ring on the tube will create a sealed connection. Small amount of food grade silicone lubrication can be used to ensure proper seal.
- 9- Close the lid turning clockwise while observing the middle tube is being properly driven inside the port.
- 10- Vertex™ Rx-U reactors are fit to be utilized in both in-sump and/ or external applications. Choose reactor's location carefully and measure the length of tubing required to install your reactor.
- 11- Rx-U reactors are designed to be either hard-plumbed to your system or used remotely via hose or soft tubing. Pair of barbed hose connections is supplied to accommodate such installation and use.
- 12- If desired to use the reactor remotely; use PVC cement to permanently glue the barbed connections to the Union and Union ball valve. Use proper size soft tubing or hose. Inserting the end of the hose in hot water for a few seconds will make the material softer and installation easier. Ultimately small amount of food grade lubrication can be used to slip the hose over. Use hose clamps to secure the connections.
- 13- Check the lid and all the connections to make sure they are properly installed and seated.
- 14- Attach the feed-line to the ball valve connection to avoid pressurizing the reactor. Excess pressure can damage your reactor. Such damages are not covered under warranty.
- 15- Attach the exit line to the union connection. Find adequate place for the exit-line in your sump or Aquarium.
- 16- Open the valve and let the reactor fill with water. Once filled closed the valve for a few seconds to let the media settle.
- 17- Once the media is settled slowly open the valve and adjust the flow rate according to the media's requirement and/or manufacturer's guidelines.

Warning: To avoid damage to property, livestock and/ or personal injury please follow all these instructions and/or consult with a professional. Vertex Aquaristik™ will not be held accountable for any damages the misuse and/ or improper installation of the unit may cause.

Important points:

- It is always best to vent the reactor for a few minutes to remove any remaining debris and/ or fine particles remaining in the media. To do so; simply remove the reactor's exit-line out of the sump or Aquarium and collect the effluent in a bucket or container. Once ensured that the effluent is free of dust, fine particles or undesired coloration place the exit-line back in the intended spot in the sump and/or Aquarium.
- Use only quality media, Vertex Aquaristik™ offers a range of media for most of your applications.
- Do not exceed the recommended amount of media for your system's NET WATER VOLUME. It is recommended to start at a smaller dose and increase gradually to the desired amount over a period of time. Rapid changes in water chemistry can affect your system's inhabitants in a negative way.
- Always follow manufacturer's guideline for required amount of media and/or additives. Vertex Aquaristik™ cannot be held accountable for any damages excess flow through the reactor, excess use of media and/ or additives dosed can cause. If you are unsure of proper amount of flow and/or media required contact the manufacturer directly.
- Any media will be exhausted in time and needs to be exchanged or replenished. For proper media renewal regiments please consult with the media manufacturer.

- To exchange the media:

- A- Turn the pump off and disconnect from power. Do not attempt to service and/or perform maintenance on the unit when connected to power.
- B- Close the onboard Valve.
- C- In external applications it is best to secure the reactor in a container to avoid any spillage disconnection of the hoses and/or plumbing can cause.
- D- Open the unions and remove the lid by gently turning in a counter-clockwise motion. Refrain from applying force to the connections.
- E- Remove the inner chamber from the main chamber.
- F- Loosen the Titanium screw onboard the top perforated plate and remove the plate.
- G- Remove the media.
- H- To bring the reactor back online simply refer to the assembly part of this guide.
- I- Tighten lid and make sure all connections and unions are properly assembled and seated.
- J- Turn the unit back on and ensure proper flow for the amount of media utilized.

Maintenance:

After extended operation time and/or when deemed necessary, lubrication can be applied on the O-rings. Only use food-grade silicone grease.

Unit can be fully disassembled for cleaning and/ or maintenance. Refer to the assembly instruction of this guide before putting the unit back in operation.

Warranty and Service:

Rx-U series fluidized Reactor carry a two-year limited manufacturer warranty. Parts and/ or components damaged due to misuse or improper installation of the unit will not be covered under warranty. Vertex Aquaristik™ deserves the right to warranty products based upon inspection.

All warranty related issues should be handled at the point of purchase location by trained staff. Please contact your dealer for warranty and/ or any other service/ maintenance the unit might require.

For additional information regarding this and/ or any other Vertex Aquaristik™ products, please either consult with your dealer or the following resources:

Website: www.vertexaquaristik.com

E-mail: info@vertexaquaristik.com



© Vertex Aquaristik™ GmbH Deutschland 2012